

BANDSAW

USES

- Re sawing stock
- Cutting curved sections
- Cutting Joints
- Sawing veneers
- Docking rough sawn stock – to lengths shorter than the throat of the machine

HAZARDS ASSOCIATED WITH THIS MACHINE

 **SHARP EDGES AND BURNS**

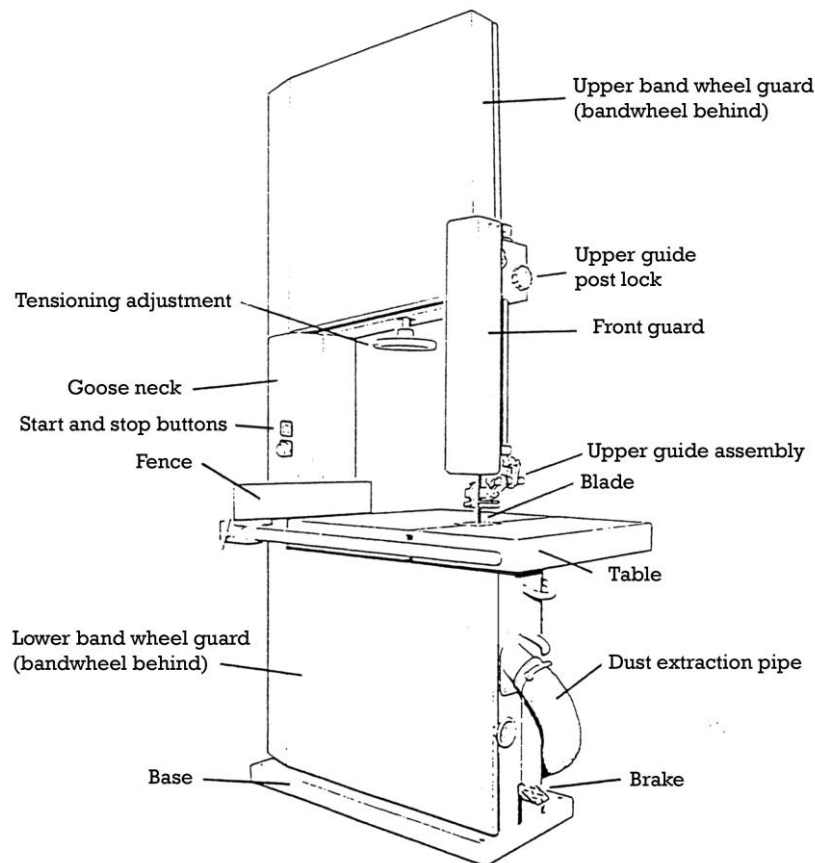
 **LOOSE AND TORN CLOTHING**

 **DUST PARTICLES**

 **MANUAL HANDLING**



IDENTIFY THE PARTS FOR THIS MACHINE



PERSONEL SAFETY

- Sturdy footwear, eye and hearing protection **MUST** be worn when operating this machine.
- Loose clothing **MUST** be secured and long hair **MUST** be tied back.
- Gloves, rings and jewellery **MUST NOT** be worn when operating this machine.
- It is recommended that a dust mask should be worn.

WORK AREA CHECK

- Remove all scraps of timber from table and the surrounding floor before using this machine.

MACHINE PRE-OPERATION CHECK

- Check the saw blade is stationary. If you are wearing earmuffs and other machines are running you will not be able to hear if the blade is moving.
- Know your own limitations. (i.e. if you cannot control the piece you wish to cut get help or **DO NOT ATTEMPT TO CUT IT**).
- Ensure you are familiar with the controls of the machine; know where the **STOP** button and brake are located.
- Check that the blade is appropriate for the task and that the blade and guard are in good condition before you start.
- Ensure a push stick is available.
- Always adjust the guard to the lowest practical position before commencing the cut.
- Always stop and isolate the machine at the wall before making any adjustments.
- Ensure the dust extraction system is operating before using the machine.

OPERATING PROCEDURE

- **Turning ON the machine.**
 - The **OFF** switch must be twisted before the machine can be switched on.
 - Press the **ON** button.
 - Let the machine get up to working speed before starting a cut.
- **Turning OFF the machine.**
 - Press **STOP** button.
 - Hold on to the table and depress the foot brake to stop the blade.

OPERATING GUIDELINES

- Always **STOP** and **ISOLATE** the machine at the wall before making any adjustments.
- When sawing, ensure the feed rate is both steady and appropriate for the material being cut.
- The factors that determine the 'appropriate' feed rate include:-
 - Sharpness of the blade
 - Hardness of the timber
 - Sectional size of timber
- When sawing curved shapes the following factors must be taken into account:-
 - Tightness of radius
 - Width of blade
 - Width of kerf
 - If a given radius cannot be achieved with a particular blade then relieving cuts must be made
- **DO NOT** feed work with thumbs directly in line with the blade.
- Use a push stick when cutting narrow pieces and when feeding material near the blade.
- Avoid reversing a blade out of a cut. **NEVER** back the blade out of a deep or long cut without **STOPPING** the machine and the blade.
- Be aware of the capacity of the machine you are using and only use the correct type and size of blade. Match the blade to the type and thickness of material you intend to cut. (i.e. cutting wide veneers with a narrow blade is not recommended).
- If you observe the blade surging in and out during operation this usually indicates the blade is about to break. **STOP** the machine immediately and inform an instructor.
- Should a blade break or slip from the wheels, **STOP** and **ISOLATE** the machine immediately and apply the brake. Remember that the brake will only stop the bottom wheel so stand back and **DO NOT** open the covers until you are certain that the machine has stopped completely.
- There is potential danger from a blade breaking just above the table and feeding out at right angles from the machine so always stand in front of the machine when using it.
- **DO NOT** attempt to cut very small items and cylindrical or irregular shaped stock on this machine.
- **DO NOT** leave the machine while the blade is still moving. Always **STOP** it with the brake.

HOUSEKEEPING

- Switch off the saw and reset all guards to a fully closed position.
- Always leave the machine in a safe, clean and tidy state.